

# CS MOUNTING SOLUTIONS



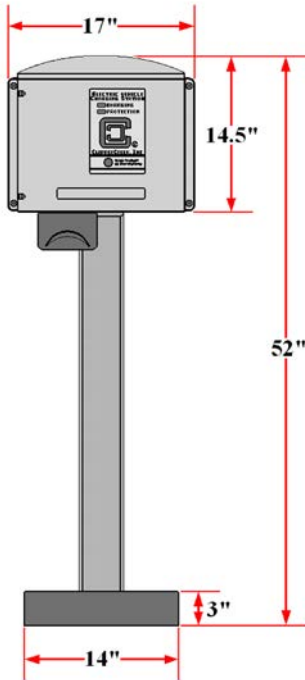
**CONVENIENT – BUILT TO LAST.** ClipperCreek's CS product line have a *time-tested* mounting solution for all your installation needs. The only mounting options on the market with more than 20 years field experience. All units come with a knockout perfectly situated for a 120V outlet.

- **WALL MOUNT** - the sturdy plastic shell is designed to mount straight to the wall with standard 16" on center mounting bolt holes. Electrical service can be brought in from the back or bottom of the unit.
- **SINGLE MOUNT PEDESTAL** - Mount a single unit, add a 120V outlet for more versatility
- **DUAL MOUNT PEDESTAL** - minimize your installation costs and mount two units on a single pedestal.



[ClipperCreek.com](http://ClipperCreek.com)

# MOUNTING SOLUTIONS



- **Low Cost** - Minimize your installation costs and mount one or two units on a single pedestal.
- **Tough** - 4" Cold Rolled Steel 1/4" thick, powder coated for lasting installation
- **Reliable** - Backed by ClipperCreek's 3-year warranty
- **Functional** - All units come equipped with 2 knockouts positioned for 120V outlet
- **Convenient** - Integrated cable holder and connector holster

## DELIVERED WITH ALL INSTALL HARDWARE

- Vanity covers
- 3/4" conduit
- Pedestal cap

## OPTIONS AVAILABLE

- 1" conduit for installations greater than 40Amps
- Dual Mounting Kit
- 120V GFCI convenience

