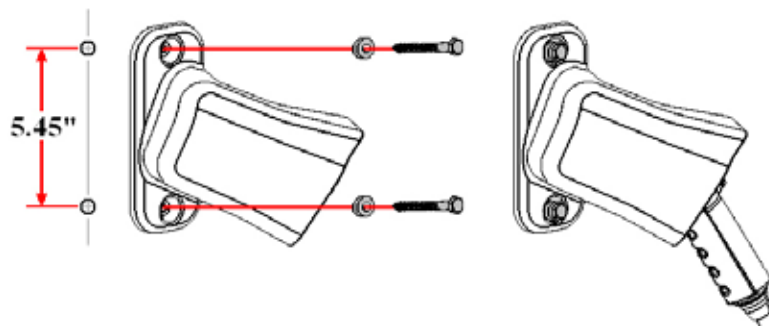


SAE-J1772™ CONNECTOR HOLSTER INSTALLATION GUIDE

Mounting the *SAE-J1772™* Connector Holster

- The *SAE-J1772™* connector holster provides a convenient protective housing for the *SAE-J1772™* connector head when it is not in use.
- The *SAE-J1772™* connector holster should be placed so that users have easy and safe access to the *SAE-J1772™* connector.
- For indoor installation, mount the *SAE-J1772™* connector holster between 18 and 48 inches above the ground or grade.
- For outdoor installation, mount the *SAE-J1772™* connector holster between 24 and 48 inches above the ground or grade.
- The *SAE-J1772™* connector holster has two vertically aligned mounting holes spaced 5.45 inches apart, one each on the enclosure top and bottom.
- The vertical alignment of the *SAE-J1772™* connector holster mounting holes allows for the convenient mounting onto the same post or wall structure. For example, the holster may be mounted directly above the EVSE.
- Place the *SAE-J1772™* connector holster such that both mounting holes can take advantage of solid structural framing inside of the wall or a strong wall surface such as plywood.
- A set of exterior wood screws and stainless steel washers are included for the purposes of mounting the *SAE-J1772™* connector holster to a wooden surface.
- For mounting to a solid surface such as concrete, brick, or stone, alternate hardware may need to be procured. Examples of solid-wall mounting hardware include multi-sets, wedge anchors and sleeve anchors. Use the type of mounting hardware most appropriate for the supporting structure. concrete

Figure 1: Mounting the *SAE-J1772™* Connector Holster Using the Exterior Wood Screws and Washers



WARNING: This product can expose you to chemicals, including Carbon-Black Extracts, which is known to the State of California to cause cancer. For more information go to: www.P65Warnings.ca.gov