

# ProMountDuo™

## UNIVERSAL CHARGING STATION PEDESTAL



PEDESTAL

Starting at \$434  
As low as \$813 with station  
\$999 as shown

**RUGGED, UNIVERSAL, ECONOMICAL.** Mount one or two ClipperCreek electric vehicle charging stations on our ProMountDuo™ pedestal for a cost effective mounting solution.

- **LOW COST** - Minimize installation costs and mount one or two units on a single pedestal
- **UNIVERSAL** - Ready for multiple ClipperCreek EVSE product lines
- **RUGGED** - Powder coated galvanized or stainless steel pedestal paired with NEMA 4 fully sealed charging stations ensure protection from the environment
- **FLEXIBLE** - Can accommodate two ClipperCreek or Tesla® EVSEs plus two 120V convenience outlets
- **RELIABLE** - Backed by ClipperCreek's excellent warranty and customer service team



[ClipperCreek.com](http://ClipperCreek.com)

# ProMountDuo PMD-10 UNIVERSAL PEDESTAL

## PRODUCT OVERVIEW

### FEATURES

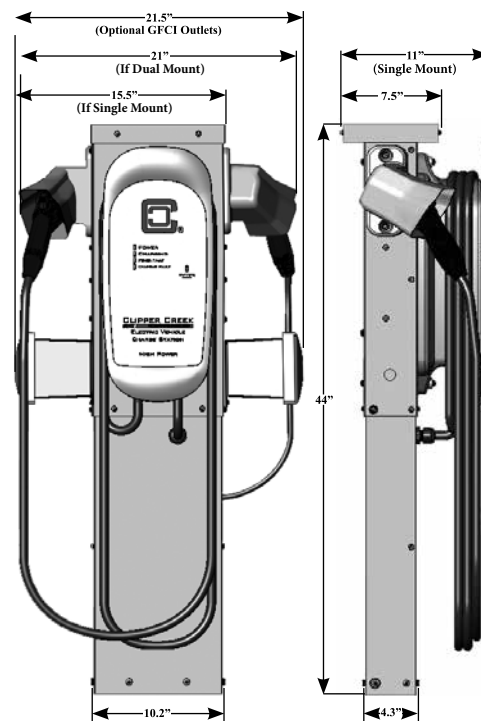
- Slim, modern profile
- Supports two stations and two 120V outlets per pedestal
- Compatible with ClipperCreek ACS, HCS and LCS product lines
- Operates as a single or dual mount pedestal with no additional kit necessary for two stations
- Galvanized and powder coated steel for environmental durability
- ADA height and reach compliant

### OPTIONS AVAILABLE

- 120V Ground Fault Receptacle Kit Optional (0300-06-000)

### PARTS INCLUDED

- Pedestal
- All the hardware needed to mount up to two EVSEs



## More Options Now Available!

**PMD-10R with  
HCS -60**



The **PMD-10R** is an affordable solution designed for fleet, parking lot, or any harsh environment. Designed to accommodate ClipperCreek HCS, LCS, ACS products as well as the Tesla® Wall Connector. This "ruggedized" mounting solution is an excellent value at **\$695**.

- 100% stainless steel construction
- Powder coated for a lasting finish
- Stainless steel machined hardware
- No knockouts
- Plastic bushings for ease of installation
- Backed by a three year warranty

**HCS/TESLA®  
Combo PMD-10T**



The **PMD-10T** has all the same features as the PMD-10, but comes equipped to mount ClipperCreek and/or Tesla® charging stations. Available for just **\$434**

