



PEDESTAL ACCESSORY: 120V GROUND FAULT RECEPTACLE KIT INSTALLATION GUIDE

Please Note: This installation guide includes the latest information at the time of printing. ClipperCreek, Inc. reserves the right to make changes to this product without further notice.

It is the responsibility of the installer to ensure that the GFCI receptacle pedestal installation conforms to all local electrical codes.

This installation guide describes the mounting of a 120VAC GFCI socket and associated hardware to the following ClipperCreek Products:

- ClipperCreek ProMountDuo™ Universal Pedestals (PMD-10 or PMD-10R)
- ClipperCreek Standard 4' Pedestals

Packing List for 120V Ground Fault Receptacle Kit (Part number 0300-06-005)

| Part Number | QTY | Description |
|-------------|-----|--|
| 4015-0002 | 1 | Plug, Knockout Bushing, 1.109" OD, 3/4 Trade Size Aperture |
| 4301-0001 | 1 | Gang Box, Single, Silver Metal |
| 4301-0003 | 1 | NEC 2017 Compliant Weatherproof Receptacle Cover, Clear, Single Gang, 2 3/4" Depth |
| 4301-0004 | 1 | GFCI Weather Resistant Ground Fault Receptacle, 15A, 125V, NEMA 5-15R, dual socket |
| 4301-0005 | 1 | Socket cover, child safety, NEMA-5-15R, two prong, plastic, white |

Assembly Components:

The following components are described in this installation guide. Some components may be packaged together. Not all components are included in the GFCI receptacle kit.

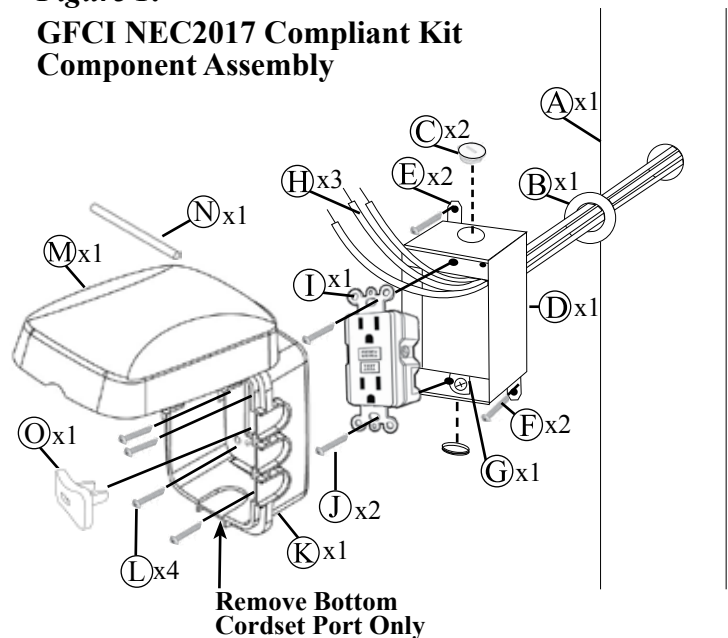
- A. ClipperCreek Pedestals (part numbers vary) Not included.
- B. Plug, Knockout Bushing, 1.109" OD, 3/4" Trade Size Aperture (part number 4015-0002)
- C. Gang Box Stoppers (included in the Gang Box packaging)
- D. Gang Box, Single, Silver Metal (part number 4301-0001)
- E. Gang Box mounting tabs (included with the Gang Box)
- F. Mounting Screws (for the Standard 4' Pedestal) or Rivets (for the ProMountDuo™ Universal Pedestal) Not included.
- G. Gang Box Ground Screw (included in the Gang Box packaging)

- H. LINE, NEUTRAL and GROUND conductors. Not included.
- I. GFCI Outlet (part number 4301-0004)
- J. GFCI Outlet Screws (included with the GFCI Outlet)
- K. Weatherproof cover base (included with the Weatherproof Receptacle Cover)
- L. Weatherproof Receptacle Screws (included with the Weatherproof Receptacle Cover)
- M. Weatherproof Receptacle Cover, Clear, Single Gang, 2 3/4" Depth (part number 4301-0003)
- N. Hinge Pin (included with Weatherproof Receptacle Cover)
- O. Socket Cover (part number 4301-0005)

Tools Required

The tools required vary based on the model of pedestal. Please see instructions page for either the ClipperCreek ProMountDuo™ Universal Pedestal or the ClipperCreek Standard 4' Pedestal for the tools required.

Figure 1:
GFCI NEC2017 Compliant Kit Component Assembly



Assembly Instructions for ProMountDuo™ Pedestals

Tools Required

- Large Tip Slotted Screwdriver or coin
 - Silver or white pen (for marking hole locations)
 - Hammer
 - Drill
 - Rivet Gun*
 - Tube of Silicone
 - Level
 - Center Punch
 - Safety Glasses
 - #11 Drill Bit (0.191")
 - Two 3/16" diameter rivets
 - Phillips P2 Screwdriver
- *For PMD-10 only: Ruggedized PMD-10R comes with #10-32 1/2" length screws to fit the threaded inserts

1. Remove the 3/4" Optional GFCI Kit knockout from the appropriate side(s) of the pedestal (A).
2. Insert (B) 3/4" knockout bushing in place of the plug.
3. Using a large slotted screwdriver or coin, screw both Gang Box Stoppers (C) into the top and bottom threaded holes of the Gang Box. **DO NOT OVERTIGHTEN.** Leave the rear Gang Box threaded hole open.
4. Level and center the Gang Box (D) to the knockout hole on the pedestal.
5. Mark the location of where the Rivets (F) (not included in the GFCI Kit) will be placed through the mounting tabs (E).

NOTE: For Ruggedized PMD-10R applications use the threaded inserts plus screws and washers that accompany the PMD-10R kit, #10-32, 1/2" length.

6. Drill two holes in the pedestal to allow for the mounting of the Gang Box to the pedestal via the mounting tabs. **NOTE: The bottom hole will be more difficult to drill as the pedestal is thicker in this area.** Tip: Use a punch followed by a pilot hole prior to drilling the final hole for easier and quicker installation.

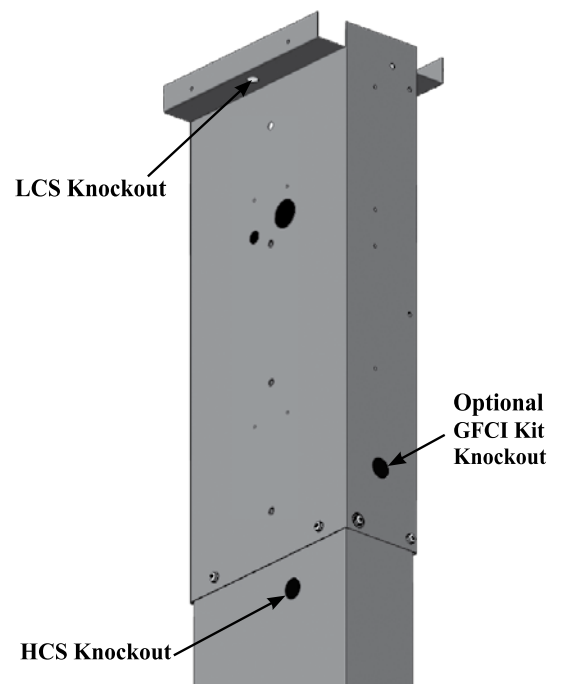
7. Secure the Gang Box to the pedestal using the mounting tabs and Rivets.

NOTE: For Ruggedized PMD-10R applications use the threaded inserts plus screws and washers that accompany the PMD-10R kit, #10-32, 1/2" length

8. Install the green ground screw (G) (included in the gang box packaging) into the Gang Box.
9. Pull the LINE, NEUTRAL and GROUND conductors (H) through the post and into the Gang Box.
10. Using a tube of silicone (not included in the GFCI kit), seal the Gang Box where the bushing meets the rear threaded hole to keep out moisture.
11. Wire the LINE, NEUTRAL and GROUND conductors to the GFCI Outlet (I).
12. Fully tighten the two screws (J) to secure the assembly and GFCI receptacle to the Gang Box.
13. Remove the cordset port from the bottom of the weatherproof cover base (K).
14. Seat the weatherproof cover base assembly (K) over the GFCI receptacle and verify the cordset port is on the bottom.
15. Place and tighten four additional screws (L), one in each corner to further secure the assembly.
16. Place the white plug (O) into the bottom outlet.

17. Assemble the weatherproof cover (M) onto the body with the hinge pin (N). **WARNING: The hinge must be on the top to ensure environmental durability.**

Figure 2: ProMountDuo™ Universal Pedestal GFCI Receptacle Kit Location



WARNING: If the wrong knockout is accidentally removed, the open holes must be plugged with plastic caps (not included).

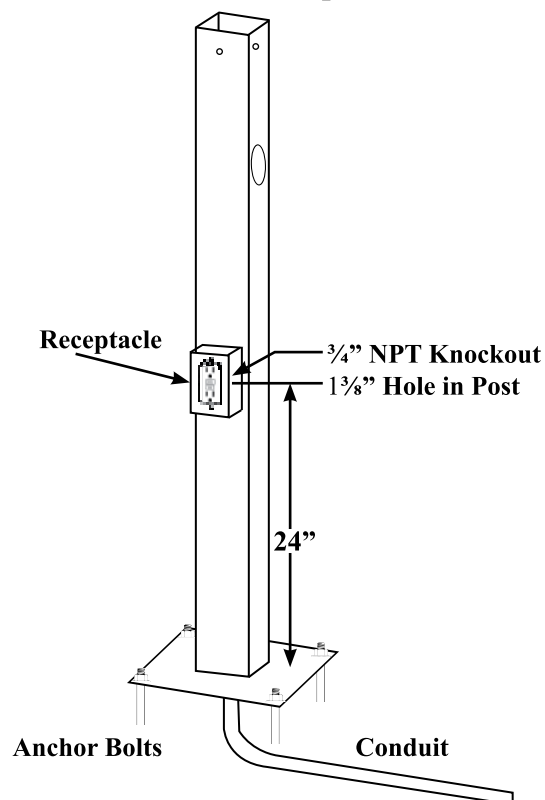
Assembly Instructions for Standard ClipperCreek 4' Pedestals

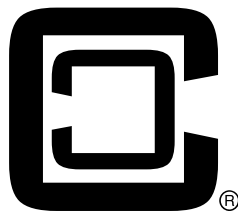
Tools Required

- Large Tip Slotted Screwdriver or coin
- Silver or white pen (for marking hole locations)
- Hammer
- Drill
- Mounting Screws or Self Tapping Screws
- Phillips P2 Screwdriver
- Level
- Center Punch
- Safety Glasses
- Tap Bit or Drill Bit
- Tube of Silicone

1. Remove the 3/4" plug located on the midsection of the pedestal. This plug is located 24" up from the pedestal base (A).
2. Insert (B) 3/4" knockout bushing in place of the plug.
3. Using a large slotted screwdriver or coin, screw both Gang Box Stoppers (C) into the top and bottom threaded holes of the Gang Box. **DO NOT OVERTIGHTEN.** Leave the rear Gang Box threaded hole open.
4. Level and center the Gang Box (D) to the knockout hole on the pedestal.
5. Mark the location of where the Mounting Screws and/or Self Tapping Screws (F) (not included with the GFCI Kit) will be placed through the mounting tabs (E).
6. Drill and/or thread two holes in the pedestal to allow for the mounting of the Gang Box to the pedestal enclosure via the mounting tabs, depending on whether Mounting Screws or Self Tapping Screws have been selected.
7. Secure the Gang Box to the enclosure using the mounting tabs and Mounting Screws.
8. Install the green ground screw (G) (included in the gang box packaging) into the Gang Box.
9. Pull the LINE, NEUTRAL and GROUND conductors (H) through the post and into the Gang Box.
10. Using a tube of silicone (not included in the GFCI kit), seal the Gang Box where the bushing meets the rear threaded hole to keep out moisture.
11. Wire the LINE, NEUTRAL and GROUND conductors to the GFCI Outlet (I).
12. Fully tighten the two screws (J) to secure the assembly and GFCI receptacle to the Gang Box.
13. Remove the cordset port from the bottom of the weatherproof cover base (K).
14. Seat the weatherproof cover base assembly over the GFCI receptacle and verify the cordset port is on the bottom.
15. Place and tighten four additional screws (L), one in each corner to further secure the assembly.
16. Place the white plug (O) into the bottom outlet.
17. Assemble the weatherproof cover (M) onto the body with the hinge pin (N). **WARNING: The hinge must be on the top to ensure environmental durability.**

Figure 3: Standard 4' Pedestal with 120V AC GFCI Receptacle Kit





CLIPPERCREEK, INC.
INNOVATIVE INFRASTRUCTURE FOR
ELECTRIC AND HYBRID VEHICLES

Visit us at www.clippercreek.com
(877) 694-4194

Pedestal Accessory 120V Ground Fault Receptacle Kit Installation Guide
Version 8.0 - October, 2019