

Wall-Mount Cable Wrap Installation

For use with AmazingE™

Mounting the Wall-Mount Cable Wrap

The Wall-Mount Cable Wrap provides a convenient cable storage area for cable management.

- The Cable Wrap should be placed so that the users have easy and safe access to hang excess cable.
- For installation, we recommend mounting the Cable Wrap between 24 and 48 inches above the ground or grade.
- The Cable Wrap has two vertically aligned mounting holes spaced $4 \frac{9}{16}$ " apart, one each on the top and bottom.
- This hole configuration allows for the convenient mounting onto a post or wall structure. For example, the Cable Wrap may be mounted directly below the Wall-Mount Connector Holster (sold separately).
- Place the Cable Wrap such that both mounting holes can take advantage of solid structural framing inside of the wall or a strong wall surface.
- A set of exterior wood screws and stainless steel washers are included for the purposes of mounting the Cable Wrap to a wooden surface.
- For mounting to a solid surface such as concrete, brick or stone, alternate hardware may need to be procured. Examples of solid-wall mounting hardware include multi-sets, wedge anchors and sleeve anchors. Use the type of mounting hardware most appropriate for the supporting structure.

Figure 1 - Template

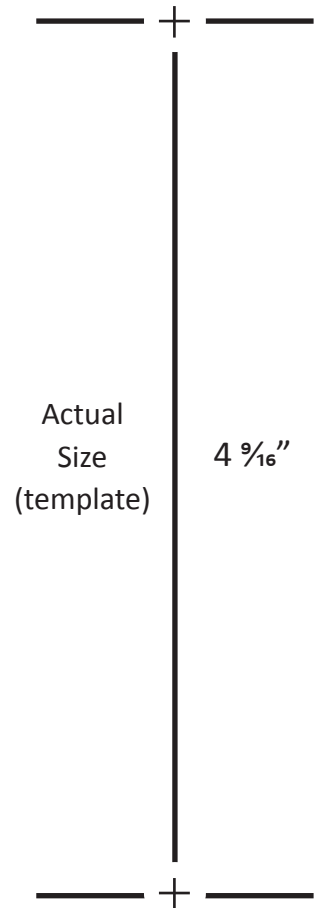
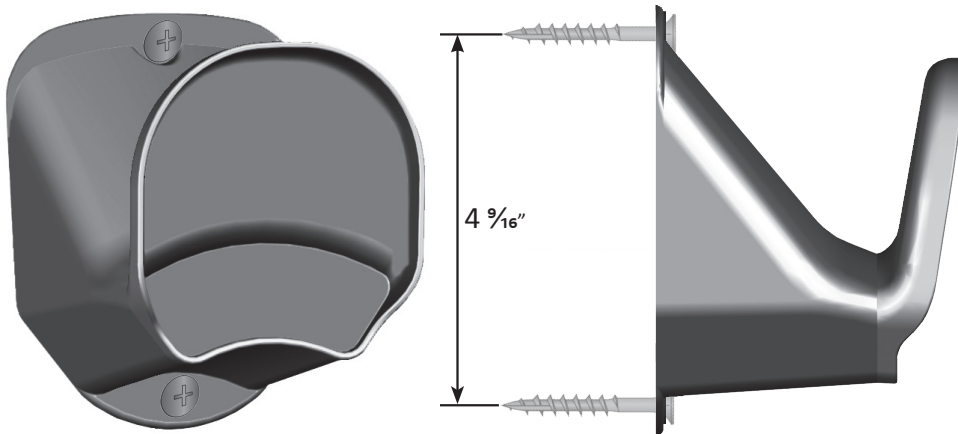


Figure 2 - Mounting the Wall-Mount Cable Wrap



NOTE: Use the template in **Figure 1** to mark the hole location on the mounting surface. **Page must be printed at 100% for template accuracy.**



WARNING: This product can expose you to chemicals, including Carbon Black, which is known to the State of California to cause cancer. For more information go to: www.P65Warnings.ca.gov

AmazingE

www.Amazing-E.com

For additional inquiries, please contact our US based customer service line at (877) 694-4194.